

WJ200 Series Inverter POT Option WJ-VL Instruction Manual

Thank you for your purchase of a special POT option for WJ200 series Hitachi inverter.

This instruction manual explains about the treatment of WJ-VL.

For the best results with the WJ200 series inverter and WJ-VL, carefully read this manual along with the WJ200 series inverter instruction manual before installing and operating it, and follow the instructions exactly.

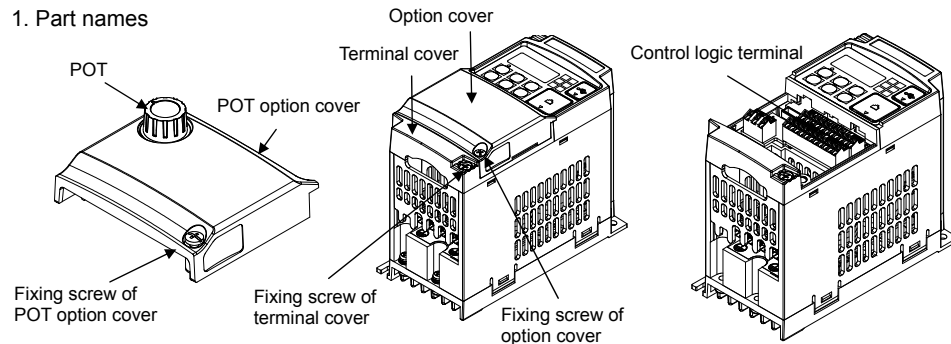
Please make sure to reach this manual to the end user.

WJ-VL installed in the WJ200 series inverter allows the output frequency of WJ200 to be changed by turning the POT.

⚠ Warning

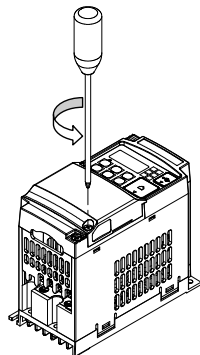
- Wiring work shall be carried out only by qualified personnel. Otherwise, there is a danger of electric shock and/or fire.
- Confirm that the input power supply is turned OFF, and wait at least ten (10) minutes before removing covers of the inverter. Otherwise, there is a danger of electric shock and/or fire.
(Confirm that the Power LED of the inverter is OFF, and verify the voltage between P and N terminal is lower than 45V.)
- Be sure to implement wiring after installing the inverter. Otherwise, there is a danger of electric shock and/or injury.

1. Part names

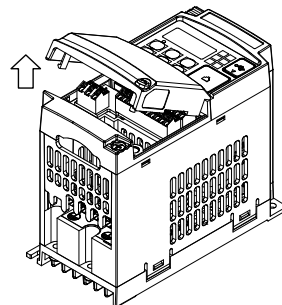


2. Installation

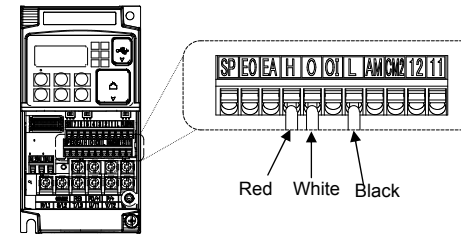
(1) Screw down the option cover.



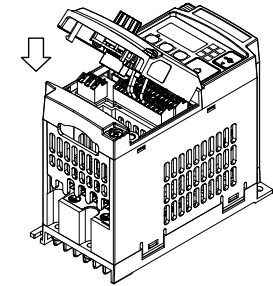
(2) Remove the option cover.



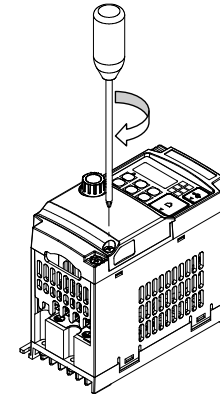
(3) Connect wires of WJ-VL to the control logic terminal.



(4) Install the POT option cover in the position where the original option cover was installed.



(5) Fix the screw of POT option cover.



3. Parameter Setting

To use the POT option WJ-VL, it is necessary to set the "frequency source setting" of the inverter to "Control terminal". Please follow the procedure below and set parameters.

Check the wiring

Supply power to boot inverter. (The red "POWER LED" on the keypad turns on.)

Set "Frequency source setting" of the inverter's parameters to "Control terminal"

- Move to the code "A001", and press key once. (A double-figure number is displayed.)
- Press key or key to change the data to 01, and press key to set the "Frequency source" to "Control terminal". (The display goes back to the code "A001".)

Set monitor modes

- To monitor the output frequency, move to the code "d001" and press key.
(The output frequency is displayed.)
- To monitor the rotational direction, move to the code "d003" and press key.
([Forward] or [Reverse] or [Stop] is displayed.)

Start running

- On pressing the RUN key, the inverter starts running. (The green "RUN LED" on the keypad turns on.)
- The inverter runs at a frequency depending on an angle of the POT turned.

Stop running

- On pressing the STOP key, inverter decelerates and then stops. (After it stopped, the green "RUN LED" turns off.)

4. Precaution for Usage

- Please note that there is a possibility of a fluctuation of the set frequency (approximately $\pm 1\%$ of the Maximum frequency setting) caused by vibrations or impacts, when WJ-VL is installed in WJ200.